

FDIS

Solar DC Waterproof Isolator Switch

2P 1 String



4P 2 Strings



Application

- Compact and suitable where space is limited
- DIN rail mounting for easy installation
- Load-breaking up to 8 times rated current making it ideal for motor isolation
- Double-break with silver rivets-superior performance, reliability and long lasting
- Highly visible red/yellow handle
- Large padlockable red/yellow or grey/black handles
- Comprehensive range, 16 to 32A models
- High IP 66 rating
- High breaking capacity with 12.5 mm contact air gap
- Easy to install and operate
- Easy snap-on fitting of auxiliary switches

Technical Parameters

Technical Parameters		Model	FDIS-16	FDIS-25	FDIS-32	
The following CNC according to IEC60947-3, the use of category DC21B						
Main Parameters						
Rated Insulation Voltage	U_i	V	1500	1500	1500	
Rated heating Current	I_{the}	A	16	25	32	
Rated Impulse Withstand Voltage	U_{imp}	V	8000	8000	8000	
Rated Short-time Withstand Current (1s)	I_{cw}	2, 4	A	800	900	1000
		2H	A	1300	1500	1700
Rated Short-circuit Making Capacity	I_{cm}	2, 4	A	800	900	1000
		2H	A	1300	1500	1700
Rated Short-circuit Current	I_{cc}	A	5000	5000	5000	
Maximum Fuse Specifications	$g_t(g_c)$	A	40	63	80	
Mechanical Life			10,000	10,000	10,000	
DC poles				2 or 4		
Distance Between Contacts (pole-to-pole)		mm		8		
Operating Temperature		°C		-25 to +70		
Storage Temperature		°C		-40 to +70		
Class of pollution				2		
Overvoltage category				I to III		
IP level				IP66		

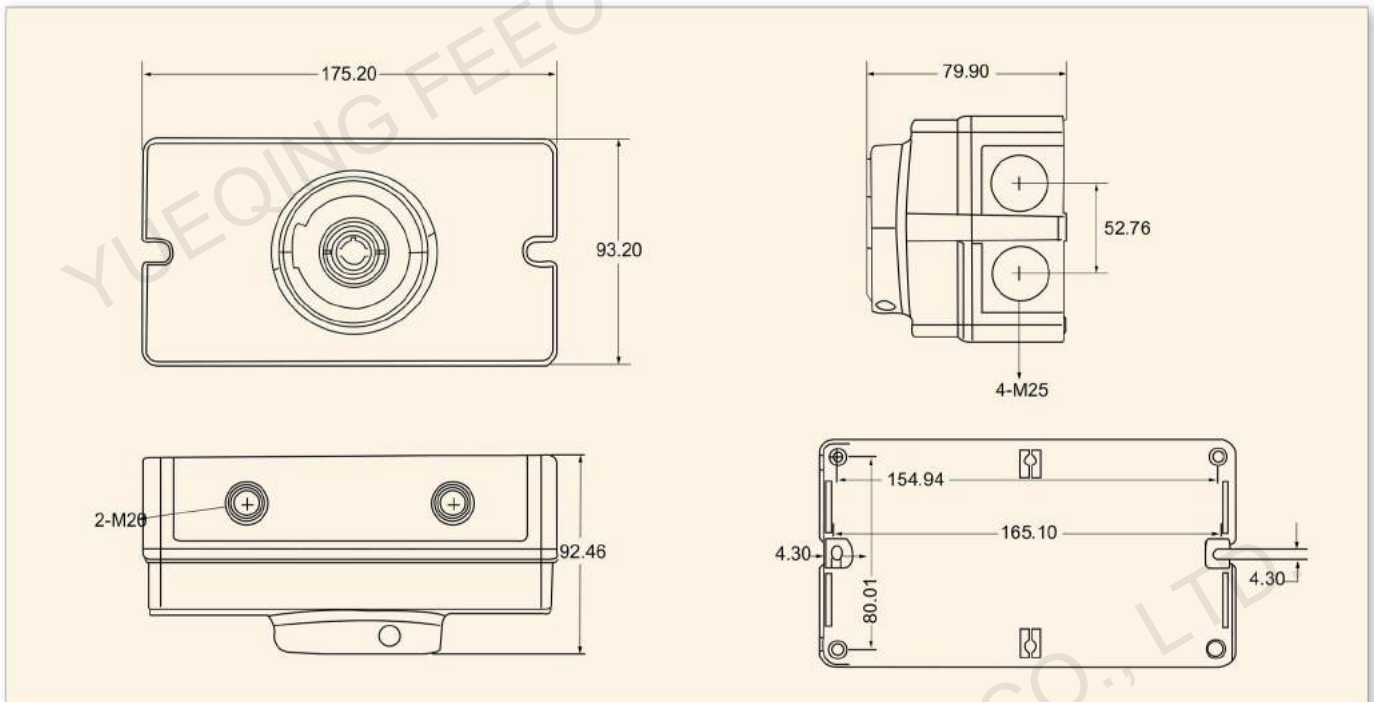
SOLAR DC WATERPROOF ISOLATOR SWITCH

Wiring Diagram

FDIS-16	...2	...2H	...4	...4S	...4T	...4B
FDIS-25	...2	...2H	...4	...4S	...4T	...4B
FDIS-32	...2	...2H	...4	...4S	...4T	...4B
Contacts Wiring Diagram						
Switching example						

FDIS-16	...6	...3H	...8	...4H
FDIS-25	...6	...3H	...8	...4H
FDIS-32	...6	...3H	...8	...4H
Contacts Wiring Diagram				
Switching example				

Dimensions



SOLAR DC WATERPROOF ISOLATOR SWITCH

Technical Data

DC21B IEC60947-3							Poles in series	Strings	Model	Contact configuration
500V	600V	700V	800V	900V	1000V	1500V				
16	16	16	16	13	9	3	2	1	FDIS-16-2	
25	25	23	20	16	11	4	2	1	FDIS-25-2	
32	32	27	23	20	13	5	2	1	FDIS-32-2	
29	29	16	16	13	9	3	2	1	FDIS-16-2H	
45	45	23	20	16	11	4	2	1	FDIS-25-2H	
58	50	27	23	20	13	5	2	1	FDIS-32-2H	
16	16	16	16	13	9	3	2	2	FDIS-16-4	
25	25	23	20	16	11	4	2	2	FDIS-25-4	
32	32	27	23	20	13	5	2	2	FDIS-32-4	
16	16	16	16	16	16	16	4	1	FDIS-16-4T	
25	25	25	25	25	25	20	4	1	FDIS-25-4T	
32	32	32	32	32	32	23	4	1	FDIS-32-4T	
16	16	16	16	16	16	16	4	1	FDIS-16-4B	
25	25	25	25	25	25	20	4	1	FDIS-25-4B	
32	32	32	32	32	32	23	4	1	FDIS-32-4B	
16	16	16	16	16	16	16	4	1	FDIS-16-4S	
25	25	25	25	25	25	20	4	1	FDIS-25-4S	
32	32	32	32	32	32	23	4	1	FDIS-32-4S	
16	16	16	16	13	9	3	2	3	FDIS-16-6	
25	25	23	20	16	11	4	2	3	FDIS-25-6	
32	32	27	23	20	13	5	2	3	FDIS-32-6	
29	29	29	29	29	29	9	3	1	FDIS-16-3H	
45	45	38	38	38	38	11	3	1	FDIS-25-3H	
58	50	45	45	45	45	13	3	1	FDIS-32-3H	
16	16	16	16	13	9	3	2	4	FDIS-16-8	
25	25	23	20	16	11	4	2	4	FDIS-25-8	
32	32	27	23	20	13	5	2	4	FDIS-32-8	
29	29	29	29	29	29	16	4	1	FDIS-16-4H	
45	45	45	45	45	45	20	4	1	FDIS-25-4H	
58	58	58	58	58	58	23	4	1	FDIS-32-4H	

Curve

