

## FDIS (inside) Solar DC Isolator Switch



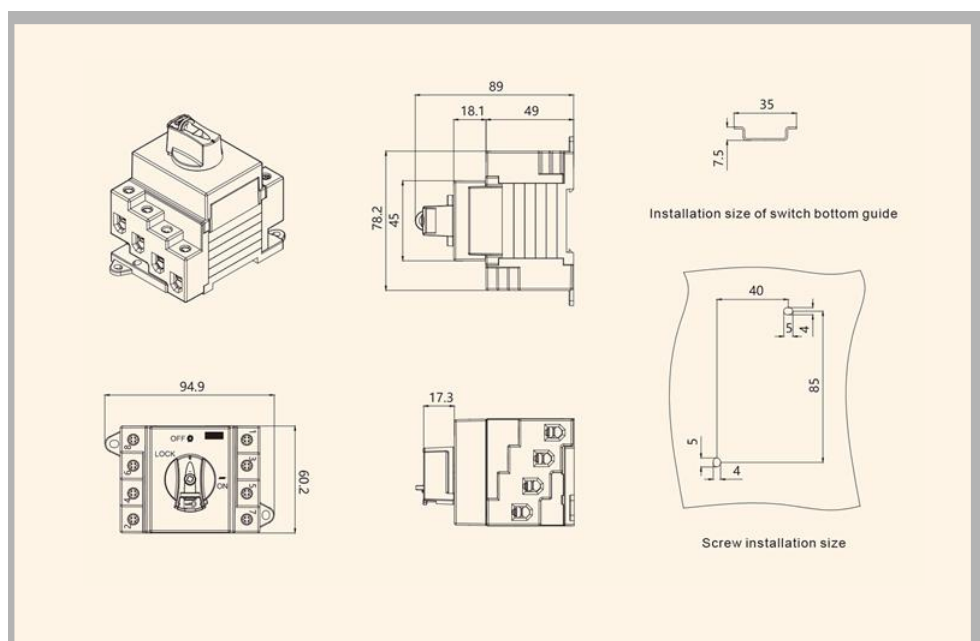
### Application

- Max32A and 1500V
- Available in 2 to 4 Pole, application in the distribution box
- TUV certificated
- Working Temperature: Full efficiency between -25 ~ 70
- 5 years guarantee certificate
- Handy Locking Mechanism while off keeps it safe from Children or Un-Authorized access
- Operator Independent trigger Ratchet Switching and Knife Edge Self Cleaning Contact Mechanism

### Technical Data

Technical data			
Data according to IEC 60947-3,utilization category DC-PV1/ DC-PV2			
Main parameters			FDIS-NHV
Rated insulation voltage	$U_i$		1500V
Rated thermal current	$I_{the}$		32A
Rated impulse withstand voltage	$U_{imp}$		8000V
Rated short-time withstand current(1s)	$I_{cw}$	2,4	1000A
		2H	1700A
Rated short-circuit making capacity	$I_{cm}$	2,4	1000A
		2H	1700A
Rated conditional short-circuit current	$I_{cc}$		5000A
Max.fuse size	gL(gG)		80A
Mechanical life			10,000
Number of DC poles			2 or 4
Distance of contacts (per pole)			8mm
Operation temperature			-25°C ~+70°C
Storage temperature			-40°C ~+70°C
Pollution degree			2
Overtoltage category			I to III
IP rating of shafte and mounting nut			IP20

### Dimensions



# SOLAR DC ISOLATOR SWITCH

## Technical Data

DC21B IEC60947-3								Poles in series	Strings	Model	Contact configuration
500V	600V	700V	800V	900V	1000V	1200V	1500V				
32	32	32	32	23	16	/	/	2	1	FDIS-NHV100-2	
32	32	32	32	23	16	13	7	2	1	FDIS-NHV120-2	
58	58	58	45	23	16	/	/	4	1	FDIS-NHV100-2H	
58	58	58	45	23	16	13	7	4	1	FDIS-NHV120-2H	
32	32	32	32	23	16	/	/	4	2	FDIS-NHV100-4	
32	32	32	32	23	16	13	7	4	2	FDIS-NHV120-4	
32	32	32	32	32	32	/	/	4	1	FDIS-NHV100-4B	
32	32	32	32	32	32	32	23	4	1	FDIS-NHV120-4B	
32	32	32	32	32	32	/	/	4	1	FDIS-NHV100-4T	
32	32	32	32	32	32	32	23	4	1	FDIS-NHV120-4T	
32	32	32	32	32	32	/	/	4	1	FDIS-NHV100-4S	
32	32	32	32	32	32	32	23	4	1	FDIS-NHV120-4S	

## Wiring Diagram

	...2	...2H	...4	...4S	...4B	...4T
FDIS-NHV100	...2	...2H	...4	...4S	...4B	...4T
FDIS-NHV120	...2	...2H	...4	...4S	...4B	...4T
Contacts Wiring Diagram						
Switching Example						

## Curve

